



EASY ACCESS TO AV EQUIPMENT

BT7883 FLAT SCREEN WALL MOUNT WITH SLIDE-OUT AV STORAGE TRAY



The BT7883 is a screen mounting solution with an integrated slide-out tray for storing AV equipment behind the screen. Featuring a quick release equipment interface plate which can be separated from the mount, AV equipment can be easily added or removed from the install without needing to remove the screen first. The tray mechanism is tool-less for ease and speed of use, with the option to add a padlock (*not included*) to help prevent unauthorized access to the equipment. To ensure cables do not get tangled or pinched when the tray is opened and closed, an integrated cable management track moves in unison with the tray. The BT7883 is suitable for wall mounting as well as to B-Tech's System 2 poles and System X/Mode-AL columns.

SPECIFICATION

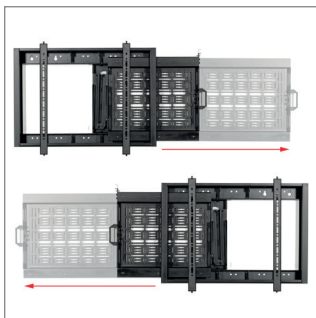
Recommended screen size	46" - 70"
Max screen weight	154lbs
VESA Compatibility	200 x 200 up to 600 x 400
Depth from wall	4"
Max storage load	22lbs
Max equipment dimensions	H:16.69" W:13.18" D:2.55"
Max tray extension (from wall mount)	33.5"

FEATURES

- Flat screen mount designed to hold & hide AV accessories behind a screen
- Can be mounted so tray slides open on the left or right side of the screen
- Tool-less operation of tray movement
- Interface arms include levelling screws to adjust the screen height
- Quick release function of tray so equipment can be easily removed from tray & serviced
- Locks in closed & open positions & can be secured with a padlock (*padlock not included*)
- Compatible with B-Tech's System X / Mode-AL columns & with B-Tech collars for pole mounted installations



70" 178CM
 VESA 600 x 400
 154 LBS
 (Icons for tray operation and quick release)



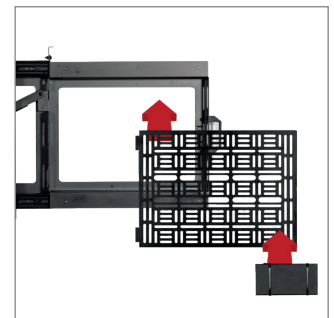
Can be mounted so tray slides open on the left or right side of the screen



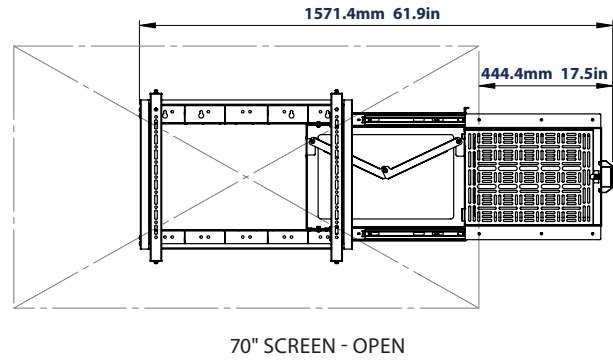
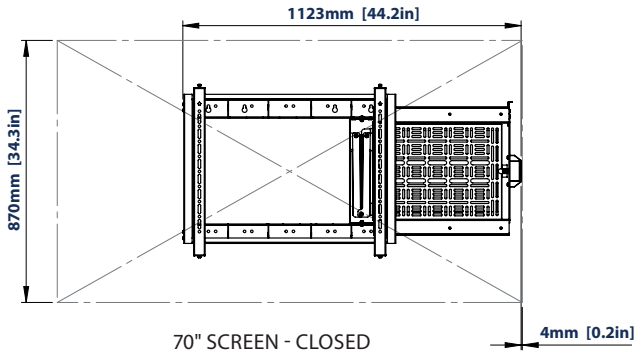
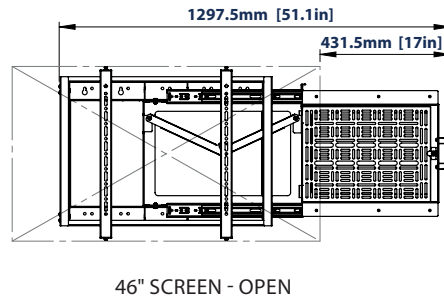
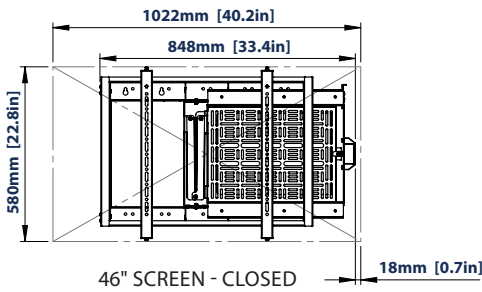
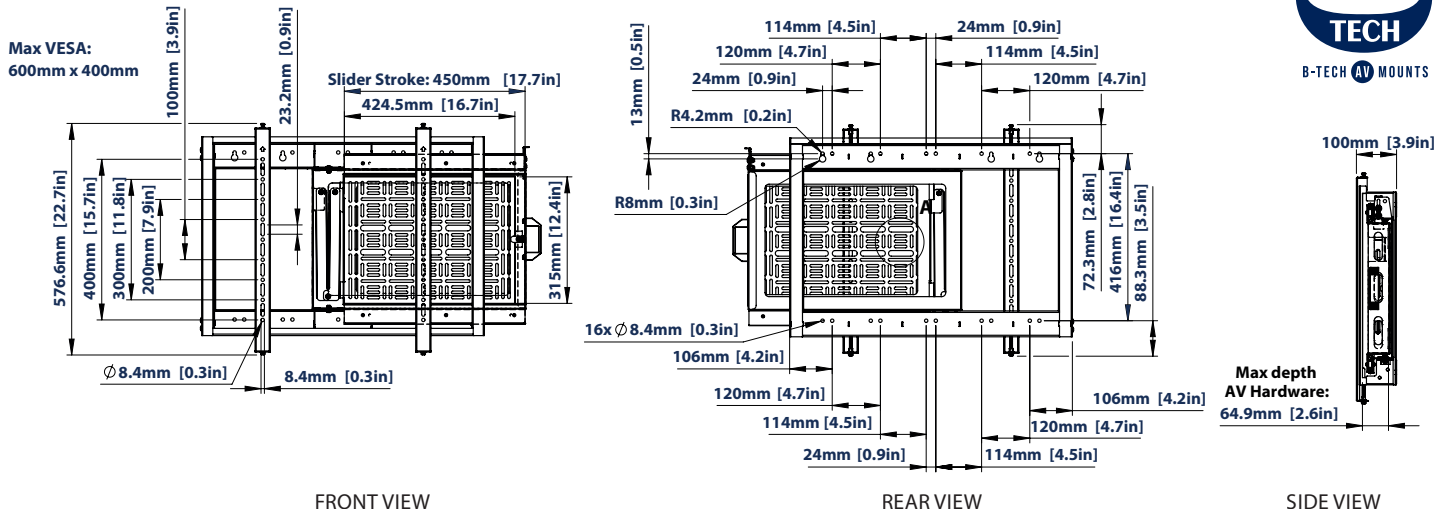
Accessories can be removed or added in the open position without screen removal



Screen size markings to adjust mount to fit all screens from 46"-70"



Quick release function of tray so equipment can be easily be added, removed or serviced



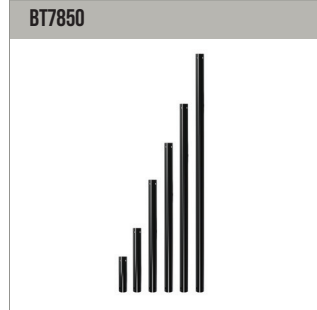
PACKING INFORMATION

COLOR:	ORDER REF:	UPC CODE:	MASTER CARTON QTY:	INNER CARTON QTY:	MASTER CARTON WEIGHT:	MASTER CARTON CUBE:
Black	BT7883/B	811867034943	1	0	48lbs	2.93 cuft

ACCESSORIES & RELATED PRODUCTS



BT7841
Ø2" 2-Piece Accessory Collar allows a wide range of mounts and accessories to be fitted to Ø2" poles



BT7850
Ø2" Pole designed for ceiling, floor or floor-to-ceiling installations



BT7884
Flip-Down AV Storage Tray designed to hold & hide AV accessories behind a screen



BT7885
Flat Screen Wall Mount with Pull-Down AV Storage Tray suitable for a screens up to 86" / 154lbs

B-Tech Professional is a registered trademark of B-Tech International Design & Manufacturing Ltd. All other trademarks are the property of their respective owners. B-Tech International Design & Manufacturing Ltd. is not responsible for any damage or injury caused by improper installation or use of any product. Any reproduction or modification of any part of this specification is strictly prohibited unless prior written permission has been granted by B-Tech International Design & Manufacturing Ltd. (BTD).
 SS-V1-BT7883-29072022-EN-US