



TOOL-LESS  
 MICRO-  
 ADJUSTMENT

# BT8390-VESA400MAP SYSTEM X™ UNIVERSAL POP-OUT INTERFACE ARMS WITH MICRO-ADJUSTMENT

Ideal for assembling videowalls and other multi-screen applications, these interface arms are designed to mount medium to large sized screens on to System X horizontal mounting rails, providing a solution with easy pop-out access to aid installation and screen maintenance. The universal design is compatible with all videowall screens and the modular design allows an almost endless number of configurations to be assembled, in both landscape or portrait orientations. Tool-less micro-adjustment allows perfect alignment of displays and a mounted depth of 4.14" from the wall allows easy access for cables and connectors.

### SPECIFICATION

Recommended screen size	39" - 70"
Max load	110lbs
VESA & non-VESA fixings	up to 400* (vertical dimension)
Closed depth (mounted using BT8390-WFK1)	4.14"
Open depth (mounted using BT8390-WFK1)	10.78"
Depth adjustment	+/- 0.39"
Height adjustment	+/- 0.78"

\* The VESA specification of the BT8390-VESA400MAP refers to the **vertical dimension only**.  
 All System X interface arms can be positioned as far along the rail as necessary.  
 BT7564 Interface Adapter Arms can be used to increase the maximum vertical fixings to VESA 600  
 BT7565 Interface Adapter Arms can be used to increase the maximum vertical fixings to VESA 800

### FEATURES

- Ideal for videowalls and other multi-screen installations
- Push to open / push to close system provides quick and easy service access
- Perfect solution for mounting screens into a recessed wall
- Suitable for landscape or portrait mounting
- Tool-less micro-adjustment for seamless display alignment
- Includes locking screw to prevent accidental pop-out of release mechanism



70" / 177cm, VESA 400, 110 LBS, and icons for micro-adjustment and pop-out access.



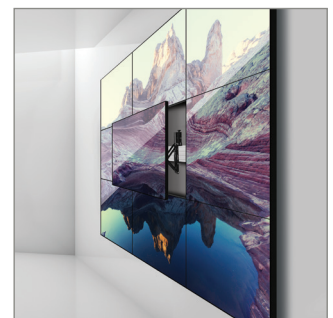
Tool-less micro-adjustment for seamless display alignment



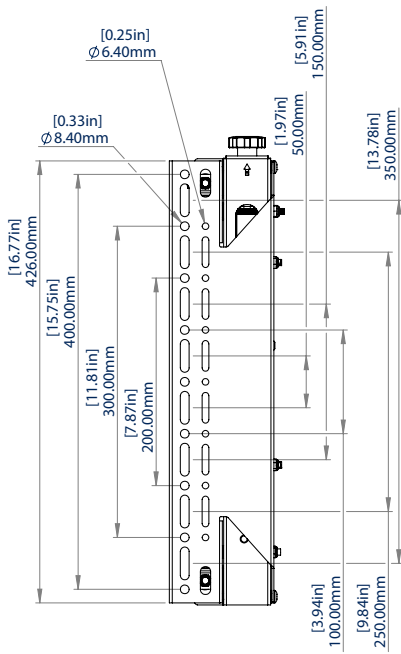
Push to open / push to close system provides quick and easy service access



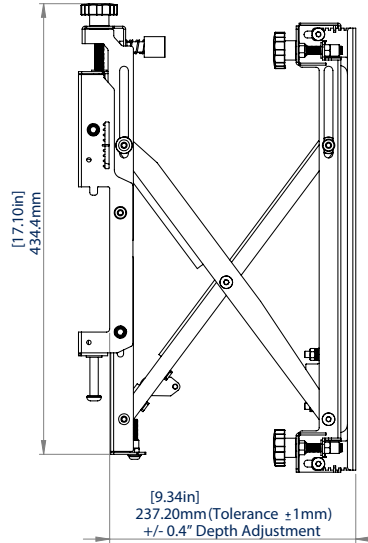
Safety screws help prevent unauthorized removal of screens



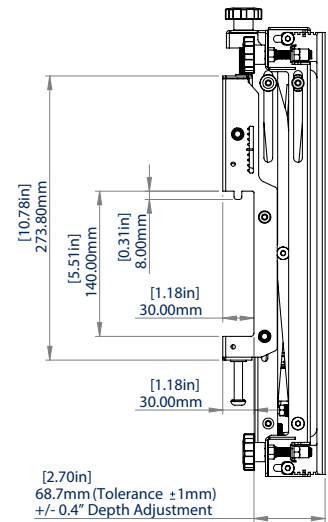
Ideal for videowalls and other multi-screen installations



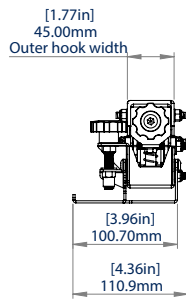
FRONT VIEW



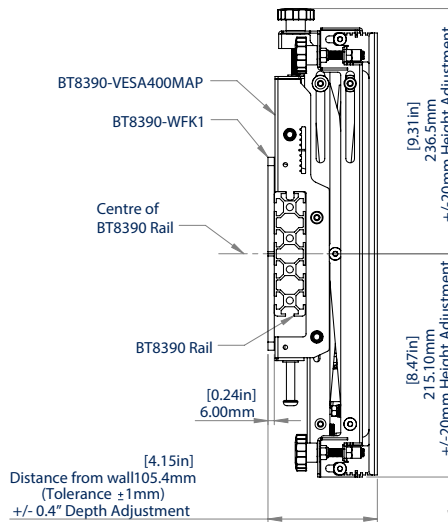
SIDE VIEW - EXTENDED



SIDE VIEW - CLOSED



TOP VIEW



WALL MOUNTED

PACKING INFORMATION

COLOR:	ORDER REF:	UPC CODE:	MASTER CARTON QTY:	MASTER CARTON WEIGHT:	MASTER CARTON CUBE:
Black	BT8390-VESA400MAP/B V2	811867039115	2	37lbs	1.05cuft

RELATED PRODUCTS



**BT7564**  
Interface Adaptor Arms for VESA 600 x 400 can be used with VESA 200 or 400 arms to increase the maximum vertical fixings to VESA 600 for larger screens



**BT8390-030/050/070/150/175/200**  
Mounting Rails can be fixed to columns, walls or poles using System X components



**BT8390-WFK1**  
Rail Mounting Kit is a wall fixing kit to attach a mounting rail to the wall



**BT8390-VESA400MAF**  
VESA 400 Interface Arms with Micro-Adjustment Can be used in conjunction with BT8390-VESA400MAP arms to create a cost effective videowall mount

© 2015 B-Tech International Design & Manufacturing Ltd. All rights reserved. B-Tech International Design & Manufacturing Ltd. is a registered trademark of B-Tech International Design & Manufacturing Ltd. Wherever the B-Tech logo is used, it shall be the property of B-Tech International Design & Manufacturing Ltd. No part of this publication may be reproduced, stored in a retrieval system, or transmitted, in any form or by any means, electronic, mechanical, photocopying, recording, or by any information storage or retrieval system, without the prior written permission of B-Tech International Design & Manufacturing Ltd. B22  
 SS-V1-BT8390-VESA400MAP-28102022-EN-US