



FOLDS FLAT TO THE WALL

# BTV513

## FLAT SCREEN WALL MOUNT WITH DOUBLE ARM

Designed to mount large-sized screens, this ultra-slim wall mount with a double arm features a tilting interface and three pivot points, allowing quick and easy repositioning of the screen, whether folded flat to the wall or at maximum extension. A cable management clip is included to help route cables along the double arm for a smart installation, ideal for home installations and commercial applications.

### SPECIFICATION

Recommended screen size	up to 55"
Max load	77lbs
VESA & non-VESA fixings	up to 400 x 400
Tilt	+10° / - 2°
Swivel	180° (at wall)
Distance from wall	Min: 1.57" - Max: 17.71"

### FEATURES

- Ultra-slim design allows close to the wall installation when folded flat
- Easy tilt and swivel adjustment
- Features three swivel points: 180° at wall, 360° at central pivot and 240° at interface
- Lateral shift of screen once mounted
- Single stud mounting for easy installation
- Leveling screws allow adjustment of screen height
- Integrated cable management
- Simple 'hook-on' installation with all mounting hardware include
- Supplied in retail packaging



55" 140cm  
 VESA 400  
 77 LBS  
 2° / 10°  
 180°



Ultra-slim design mounts screen only 1.57" from wall when folded flat



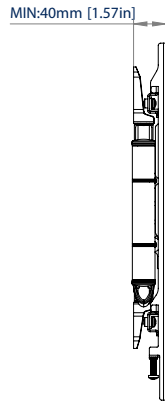
Double arm for extended reach



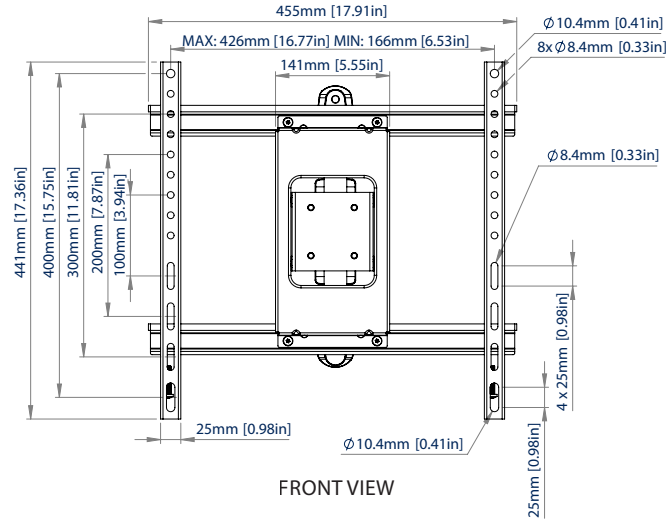
Cable management clip included



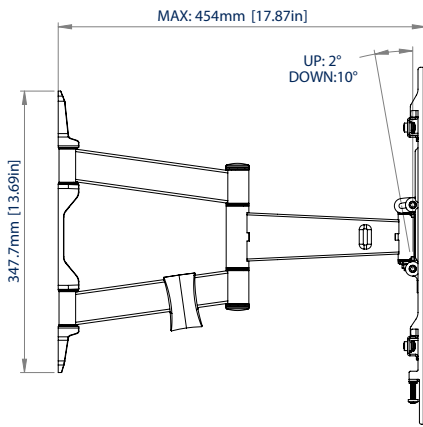
3 pivot points for easy screen positioning



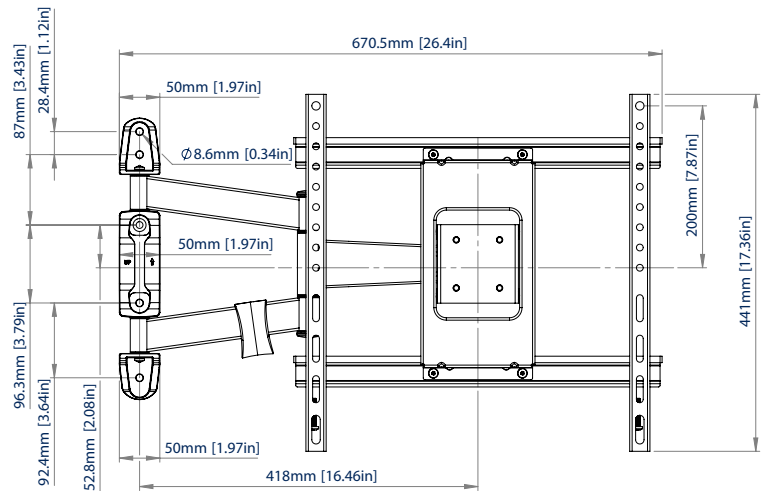
SIDE VIEW - ARM FLAT TO THE WALL



FRONT VIEW



SIDE VIEW - MAXIMUM EXTENSION



FRONT VIEW WITH ARM EXTENDED TO THE SIDE

PACKING INFORMATION

COLOR:	ORDER REF:	UPC CODE:	MASTER CARTON QTY:	MASTER CARTON WEIGHT:	MASTER CARTON CUBE:
Black	BTV513/B	811867037975	2	24lbs	0.74cuft

RELATED PRODUCTS



**BT7564**  
VESA 600 Adaptor Arms Increases VESA mounting pattern to 600 x 400



**BT8221**  
Double Arm Wall Mount with Tilt & Swivel designed for screens up to 65"



**BTV504**  
Double Arm Wall Mount with Tilt & Swivel designed for screens up to 47"



**BTV510**  
Flat Screen Wall Mount designed for screens up to 55"

B-Tech is a registered trademark of B-Tech International Design & Manufacturing Ltd. All other trademarks are the property of their respective owners. B-Tech International Design & Manufacturing Ltd. reserves the right to change the technical or physical specifications without prior notice. The B-Tech name and logo are registered trademarks of B-Tech International Design & Manufacturing Ltd. B-Tech logo and name are not to be used for any other product without the written permission of B-Tech International Design & Manufacturing Ltd. Any reproduction or modification of any part of this specification is strictly prohibited. All rights reserved. B-Tech International Design & Manufacturing Ltd. (BTD) S5-V1-BTV513-28102022-EN-US